

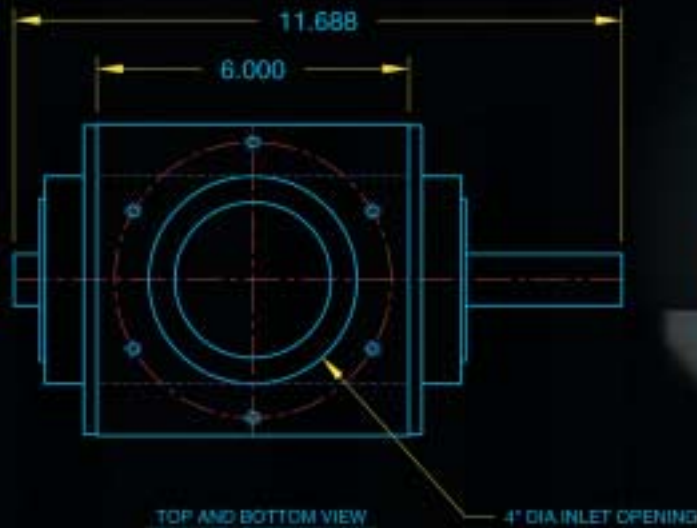


# Precision Micro-Valve

*Precision  
Quality  
Durability*

*The Precision  
Micro-Valve is  
an innovative  
design developed to  
handle small to  
medium applications.  
These unique valves  
can meter material  
from grams to  
several pounds.*

*Precise engineering,  
durable construction  
and the highest  
quality materials  
insure that each  
Precision Micro-Valve  
we build is the  
best in its class.*

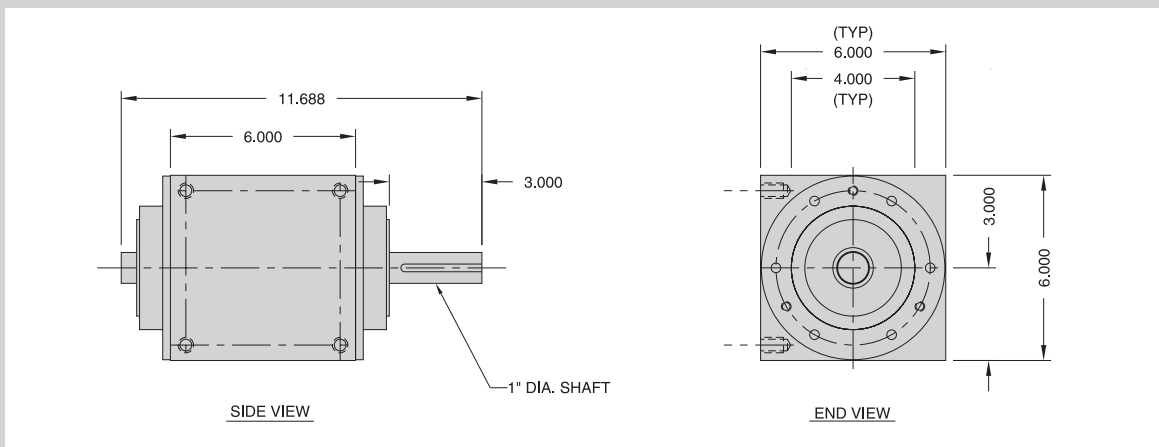




# Precision Machine and Manufacturing, Inc.

The Precision Micro-Valve can be designed for your specific application:

- Grain
- Feed
- Chips
- Pellets
- Sand
- Fertilizer
- Dust
- Dirt
- Sawdust
- Flour
- Sugar
- Soil



**T**he Precision Micro-Valve's innovative symmetrical design allows for dual direction rotation. Its durable four-piece construction has been completely CNC-

machined to precise tolerances, maintaining a lightweight and compact design with a solid one-piece machined housing. A variety of pocket designs allow for precise metering of materials. In addition, high quality self-aligning bearings and lip seals prevent air loss while its funnel-shaped inlet and discharge mean no sharp corners for material build-up. The Micro-Valve is available in a number of high quality materials: aluminum (hard-anodized to 60RC), steel (A36 mild steel housing with 4140 rotor), and stainless steel. The housing bore of both the mild steel and stainless steel units are industrial hard-chrome plated for maximum durability. Per your request, the Micro-Valve can be manufactured out of other materials to better fit your needs.

## Micro-Valve Specifications

Major inlet opening	4"
Minor inlet opening	3"
Shaft Diameter	1"
OAL	11.688"
Height	6"
Weight	23 lbs. alum. 65 lbs. steel

*(Dimensions based on 4" valve)*



**Precision Machine and Manufacturing, Inc.**

1290 S. Bertelsen Rd.  
Eugene, OR 97402-5700

Phone (541) 484-9841  
Fax (541) 484-4094

E-mail: [sales@premach.com](mailto:sales@premach.com)  
[engineering@premach.com](mailto:engineering@premach.com)

Web Site: [www.premach.com](http://www.premach.com)